

Interface Leads

Troubleshooting Guide

Carkit does not start up. Check if there is 12V between the black and the red wire and also between the black and blue wire, in the 16 pin connector, when the car is started. If there is not 12V on both wires please check the following:

1. If there is supply on the red constant 12v wire but not on the blue ignition wire the car may require an alternative ignition source. See installation step 5.
2. Check that the bullets on the supply wires are properly connected. The supply wires are the red, blue and black wires.
3. Check for a blown fuse on the Interface Lead or in the cars fuse-box.

The carkit does not turn off.

1. Please make sure the key is removed from the ignition barrel. On many new cars ignition is not turned off until the key is pulled out.
2. Is there an ignition supply on the blue wire? There should be no voltage on the blue wire when there is no key in the ignition. See installation step 4.

Speakers are not muted.

1. Check that the mute wire is connected to the right position. See installation step 3.
2. Locate the radio instruction manual and check for special menu settings regarding phone input.
3. Please check that there is close to 0V on the yellow mute wire during a call. If there are more than approximately 0V the carkit may be defective please try another carkit.

Speakers are muted but there are no carkit sound.

1. Please check that the carkit and radio volume is turned up.
2. Locate the radio instruction manual and check for special menu settings regarding phone input.
3. The carkit may be defective. Please try another carkit.

Radio will not turn on or not working properly after installation.

1. Please check for a blown fuse at the back of the radio or in the car fuse-box.
2. Please check that all connectors are properly connected and that there are no bend or damaged pins.
3. Remove the Interface Lead and connect the radio to the original car connector. If the radio is now working replace the Interface Lead.

Volume to high or sound is disordered.

1. Please try to turn down the carkit volume and turn up the volume using the radio volume control instead. If the carkit volume has to be turned almost completely down improved adjustment range can be achieved by connecting a inline resistor item number: 68897 inline with the white wire to limit the carkit output.
2. There may be a Ground loop problem when combining this exact carkit and radio model. Please try to insert Ground loop isolator item number: 69897 inline with the white and white/black wires from the carkit.

Technical Specifications

Description: L-shaped with bullet connections for Ground, Constant 12v and Ignition.

Normal Wire dimensions : AWG 18 for power wires, AWG 20 for all other wires

Standard Fuse sizes: 3 Amp for constant supply, 1 Amp for Ignition supply

Maximum Fuse size: 7,5 Amp for constant supply, 7,5 Amp for Ignition supply

Size: 400 x 400 mm

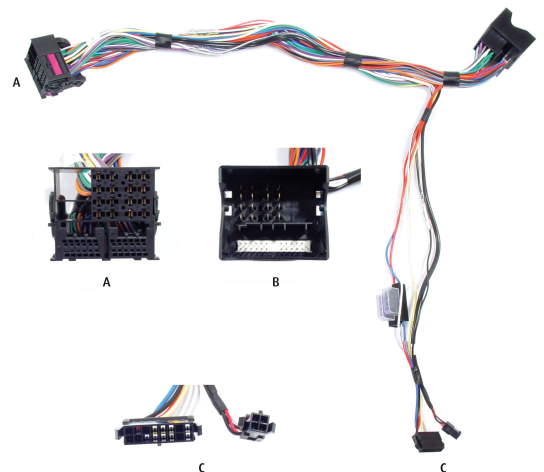
Configuration chart for 16 pin connector:

12V Const.	12V IGN				Carkit RF+	Carkit LF+	
GND	Mute Out	Mute In			Carkit RF-	Carkit LF-	

Connector seen from cable entry side

Interface Leads

Interface Lead Item nr. 67725X719 for Opel / Vauxhall with Quadlock connector. Including AUX connection for Music.



Product Description

The Interface leads range allows connection of Aftermarket carkits to OEM Phone preparation.

Interface Leads are used when installing aftermarket telephone carkits. It is used for car stereos with a Phone Line-In function or VDA preparation. It enables the use of the car speakers when answering/making calls from your cell phone. For a complete cable-set two item no. are required. The first is a car-specific Interface Lead. The second is a carkit-specific Interface adaptor cable .

Speaker-function: This is achieved by connecting the carkit directly to the cars Line-In input/VDA connector. By using the radios built-in switch function the telephone conversation is heard through the car speakers while the radio sound is muted. This way you will achieve a perfect hands free sound without interference from the car radio.

Power supply of the carkit: All Interface Leads are delivered with power and ground from the car connector connected to the carkit, this way cutting the cars wiring loom is avoided.

Ignition supply: If an ignition source is available in the radio/VDA connector then it is also available in the 16 pin connector. If an ignition source is not available a constant 12V source is connected to the Ignition pin via bullet connectors. If a real ignition is required for the chosen carkit, an IGNIBOX item no. "I" can be connected to create an artificial ignition or an ignition source found elsewhere can be connected to the bullet with the blue wire. The 12V ignition wires in the Interface leads are blue.

Aux integration

Some interface leads have the radio AUX input available in a 4 pin connector. This will allow the use of the car sound system amplifier for Music playback when installing Music carkits and thereby achieving higher audio quality.

EN725-V1

Interface Leads

Interface Leads

Installation description

Interface Lead Item Nr. 67725X719 for Opel / Vauxhall with Quadlock connector. Including AUX connection for Music.

Needed items:

A: Interface Lead.

B: Interface Lead carkit adaptor.

C: Carkit.

Note: The Carkit **C** and Interface Lead adaptor **B** are bought separately.

Installation:

1st: Remove the key from the ignition barrel. This is done to avoid error messages on the car electrical system.

2nd. Remove the radio and disconnect the Fakra connector from rear of the radio.

3rd. Insert the Interface Lead between the radio and the removed radio connector.

4th. Check ignition source. Not all models have an ignition source in the prewired position in the cable set. Therefore it is possible to disconnect the blue ignition wire from the cable set and connect it to an ignition source found elsewhere or the red constant 12v wire by using the bullet connectors. Alternatively a IGNIBOX item nr. "I" can be inserted to generate an artificial ignition.

5th: Check fuse size. The fuse on the Audio2Car cable should not be bigger than the ones used on the wiring loom supplied with the carkit. The fuses on the Audio2Car cable should be replaced with a size similar to the ones supplied with the carkit.

Note: Never exceed the Maximum Fuse size for the Interface Lead. See maximum fuse sizes on the last page.

6th. Connect the carkit 'C' to the Interface Lead using the Interface Lead adaptor 'B'. Only Interface Lead adaptors for Music carkit include a 4 pin AUX connector. For all other carkits this connector is left unconnected.

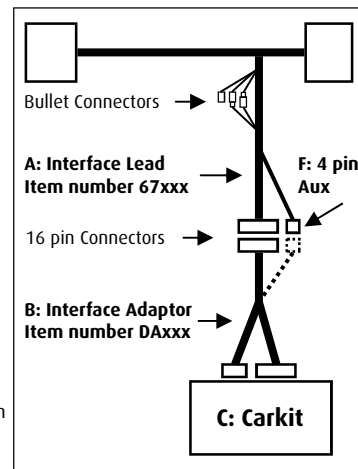
7th. Cars equipped with CD70 or DVD90 radioes. These navigation radios will require a Isolations coil item number 69897 inserted inline with the white and white/black wires on the Interface Lead to avoid distortion of the carkit sound. See picture:



8th. Cars equipped with DAB radio tuner in combination with CDC40 radio. These cars already use the AUX input for the external DAB tuner and the AUX input should therefore not be used for the carkit. To avoid noise issues please do not connect anything to the 4 pin Aux connector on the Interface lead.

9th. Test function and adjust volume. When the Interface Lead is installed correctly it will redirect your call through the car front speaker. Adjust the volume setting using the carkit and radio volume control. Note that too high carkit volume will distort the sound. **Note:** If you do not get sound the Telephone input may not be active, in that case please contact a Opel dealership and have the Telephone input activated using the workshop computer.

10th: Use of included AUX connection (Optional). For improved Music quality please choose the carkit AUX/Line-out as output for Music. This sometimes has to be selected in the carkit menu. Then select the AUX input on the radio. Carkit Music will then be played via the radio and radio amplifier. (Continues on next page)



It is also possible to use the AUX input for other accessories by connecting a Aux adaptor to the 4 pin connector on the Interface Lead. See our AUX adaptor program at www.kram.dk

Note: Generally only radios with MP3 logo on the front have the AUX input. Some radios may require the AUX input activated with a workshop computer before it can be selected on the radio.

KRAM TELECOM

See our complete Interface Lead program on www.kram.dk