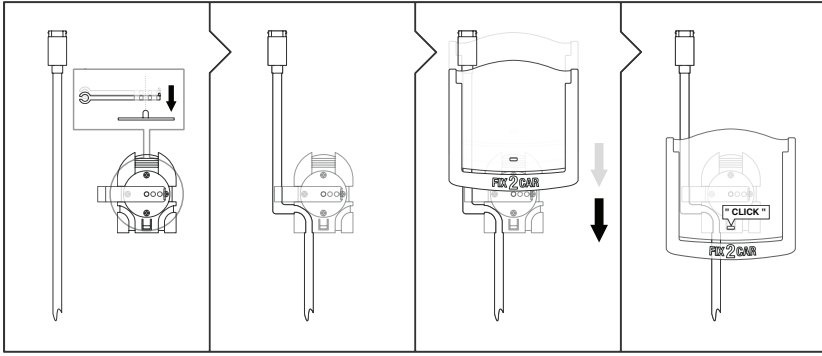
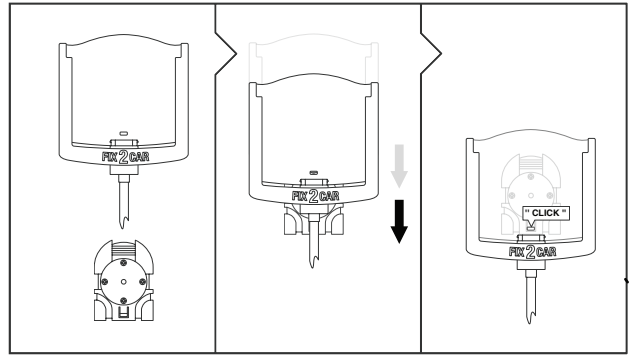


1. Assemblment

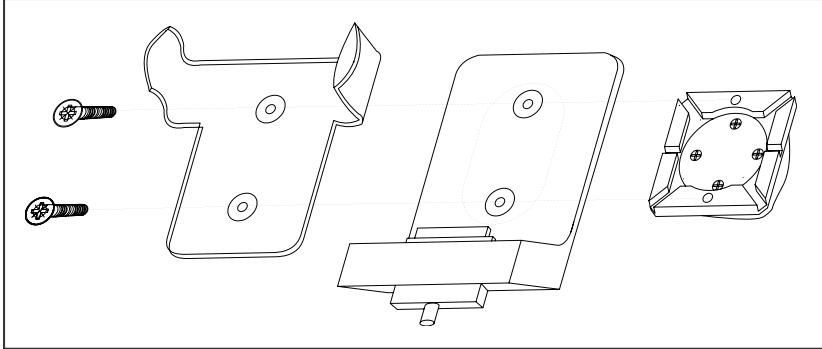
(Type 1a) FIX2CAR® with loose cable



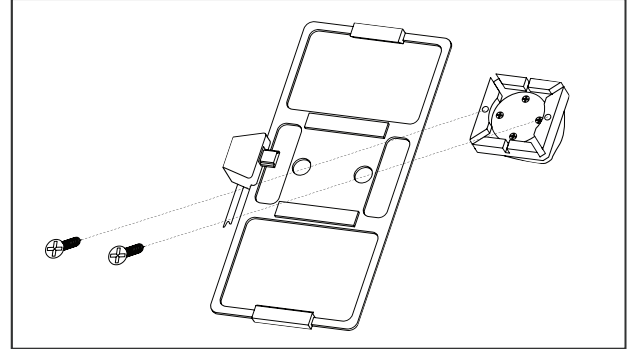
(Type 1b) FIX2CAR® with hard-wired cable



(Type 2) FIX2CAR® with Flex-Arms

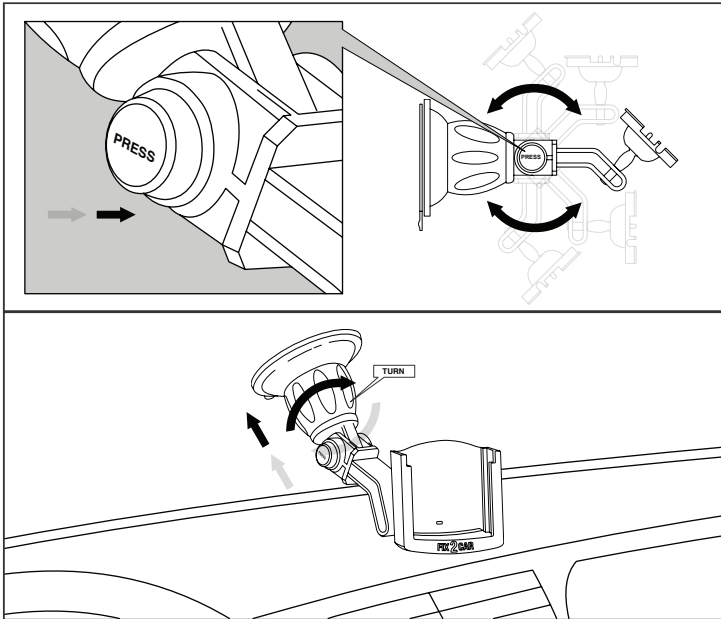


(Type 3) FIX2CAR® Side-Charged

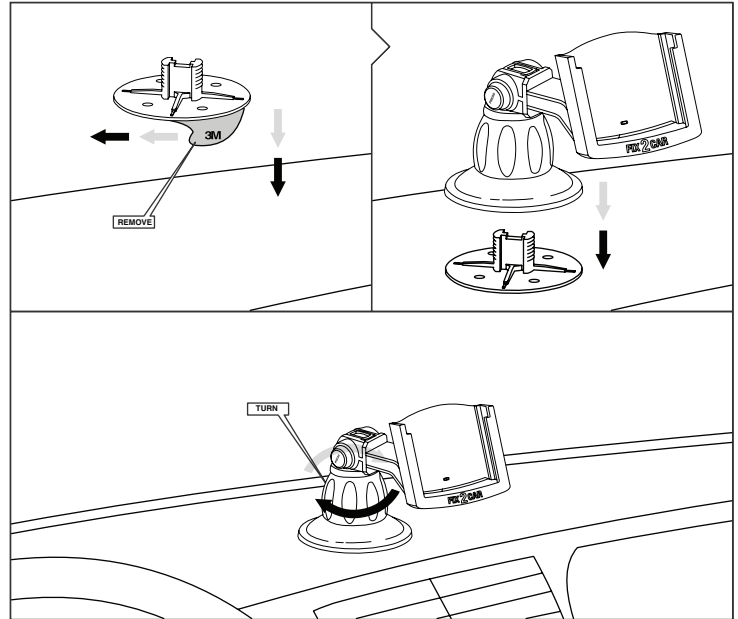


2. Installation in car

(Option 1) Mounted onto windshield with suction-cup

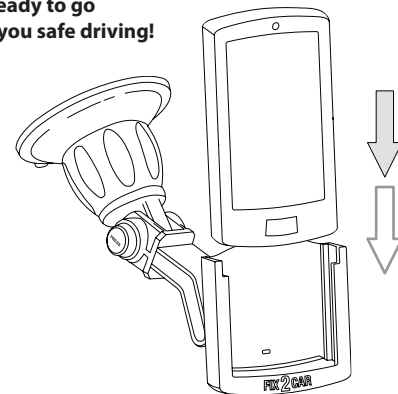
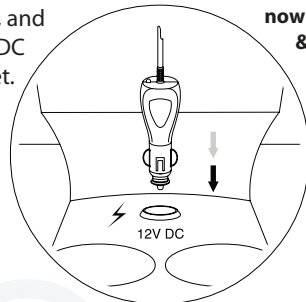
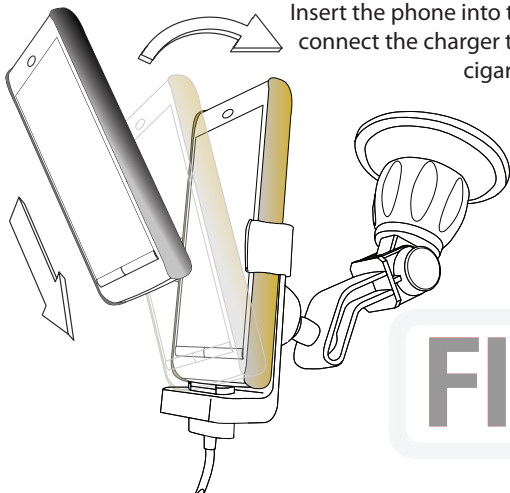


(Option 2) Mounted onto dashboard with 3M-pad



Insert the phone into the holder, and connect the charger to 12/24V DC cigarette socket.

now you are ready to go & we wish you safe driving!



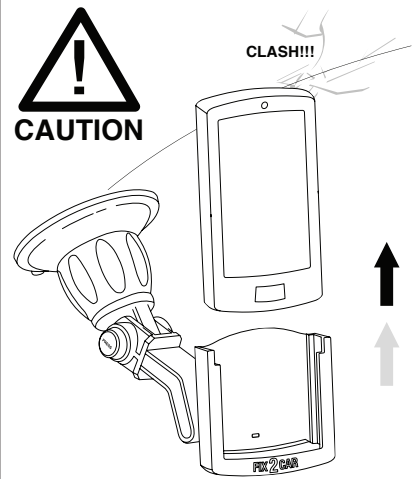
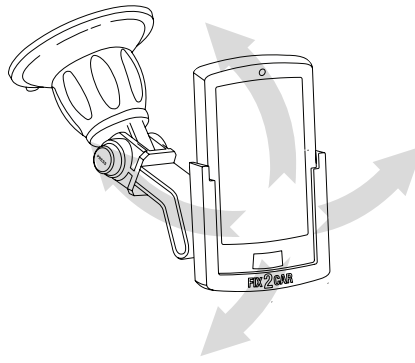
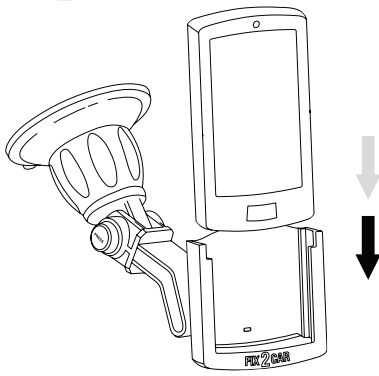
FIX2CAR

fits your phone - suits your car...

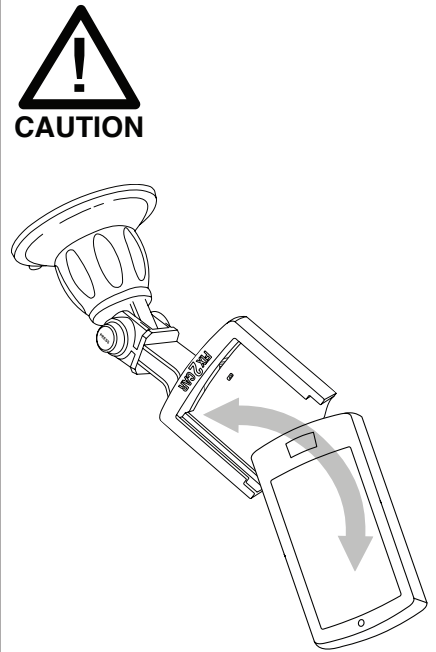
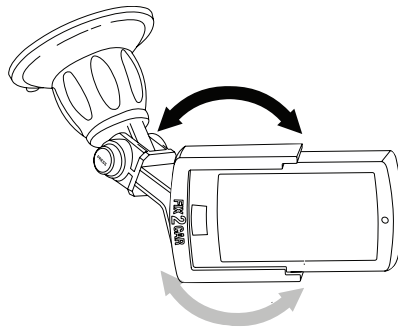
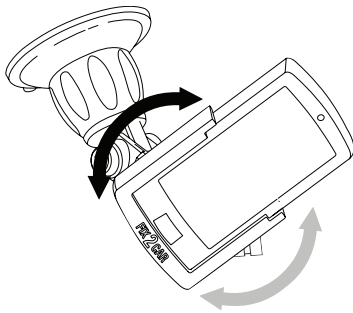
Thank You for choosing
FIX2CAR® for your phone...

1

Daily Use



Always remove your phone from the holder carefully.

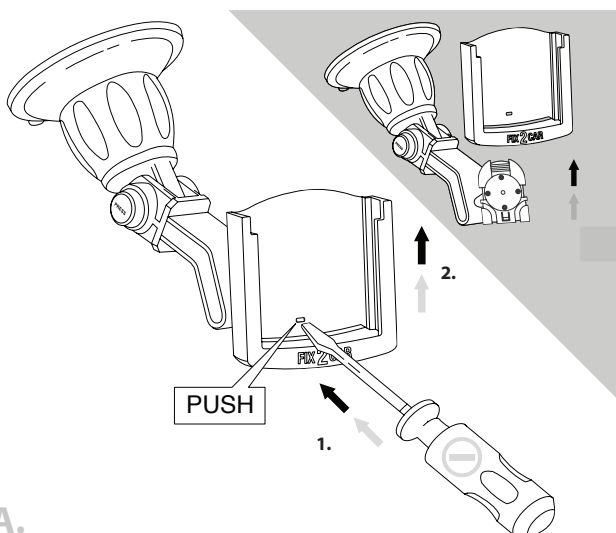


Try to avoid tilts over 90° angle.

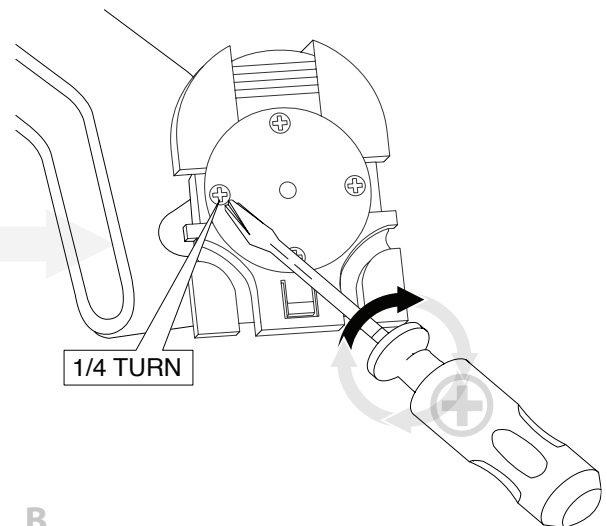
2

Maintenance

There is a possibility that over the years of frequent usage the bracket will loosen a bit. You can dismount holder from the "arm" as shown on the illustration bellow (A). Then gently tighten 4 screws about quarter of a turn each (B).



A.



B.